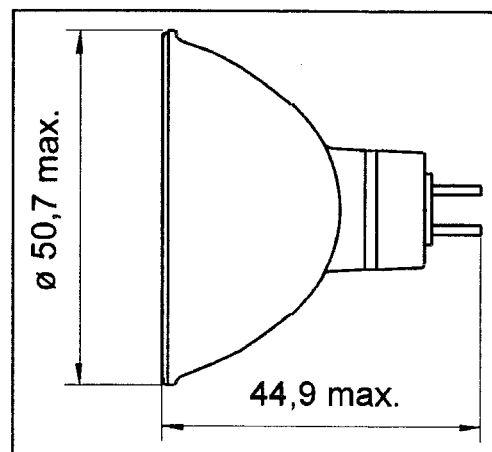


Technical data:

Lamp wattage (nominal value):	75 W
Lamp voltage:	12 V
Luminous flux (nominal value):	500 lm *
Beam angle:	30°
Colour temperature:	3000 K
Chromaticity coordinate x:	0.435
Chromaticity coordinate y:	0.4
Colour rendering:	100
Average life (nominal value):	3500 h
Diameter:	50,7 mm
Length L:	44,9 mm
Mounting distance:	40 mm
Reflectorcolor:	clear
Reflectorcoating:	dichroic
Filament:	c-8
Base:	GU5.3
Reliable burning position:	u360
Packing unit (pcs.):	50
Closed:	Yes
Dimmable:	Yes
UV-P:	Yes
Pinch temperature:	350°C max.
ILCOS:	HRG/C-75-12-GU5.3-51/30
*:	into 13mm fibre (fill factor 100)



u360

Advantages:

- High luminous flux
- Simple lamp change
- Especially adjusted for the feeding of light into fibre optic systems
- UV protection (UV-P)
- Dimmable

Application:

Application in fibre optic lighting areas, e.g.:

- Starry sky
- Fountains
- Swimming pools

Within the scope of the corresponding standards, variations of the declared values and tolerances might occur without prior notice.